

# EMI Shielded Straight Plug Connector

## 57E Series



### OUTLINE

- 57E series is a straight plug with cable and hood which shielded the interface for EMI protection.

### SPECIFICATIONS

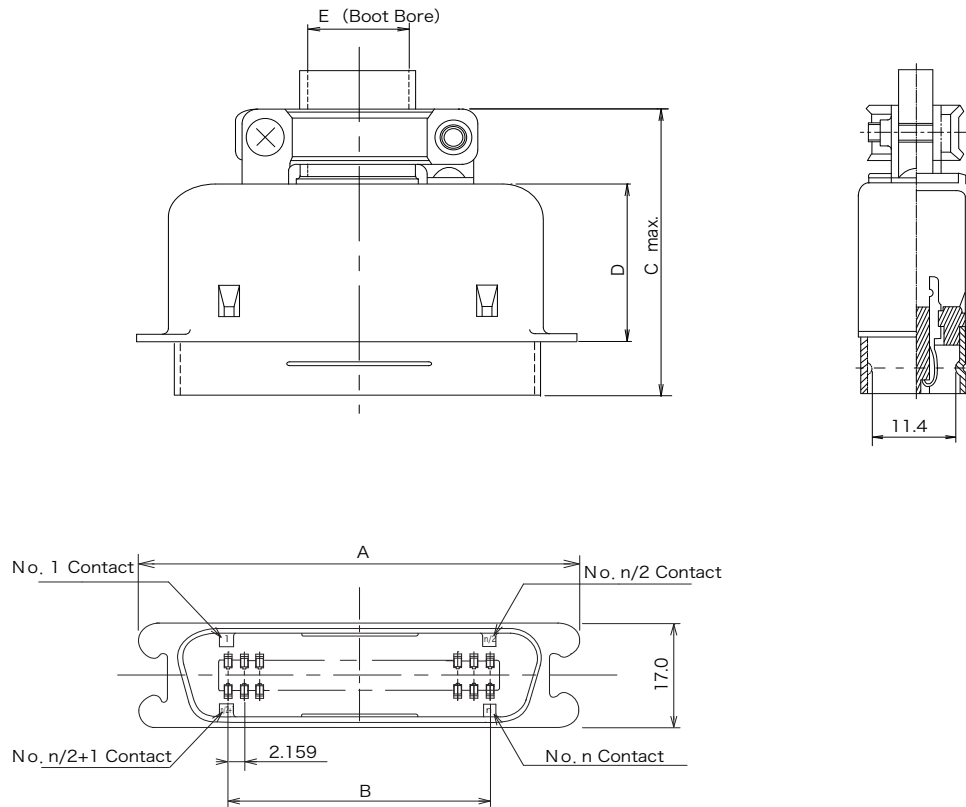
Rated Voltage	500V AC (r.m.s.)
Rated Current	5A / Contact
Dielectric Withstanding Voltage	1200V AC (r.m.s.) / 1 minute
Insulation Resistance	1000M $\Omega$ min. at 500V DC
Contact Resistance	5m $\Omega$ max. at 5V DC
Applicable Cable	Solid Cable : $\phi$ 0.65mm (Diameter of Conductor) or AWG#22 Stranded Cable : 0.2mm <sup>2</sup> (Sectional Area of Conductor) or AWG#24

### MATERIAL/ FINISH



Item	Material / Finish
Insulator	DAP Resin(UL94V-0) /Blue
Contact	Copper Alloy / Au Plating
Shell	Copper Alloy / Ni Plating
Boot	PVC

© Specifications and/or dimensions in this catalogue are subject to change without notice.  
Your catalogue checking the latest specifications with our drawings would be highly appreciated.

**▶ Plug Connector**


Number of Contact	Part Number	Dimensions				
		A	B	C	D	E (Oval)
14	57E-30140	37.8	12.954	41.4	21.4	6.5 × 9.8
24	57E-30240	48.6	23.749	41.0	21.0	11.1 × 9.8
36	57E-30360	61.6	36.703	43.0	23.0	13.9 × 9.8
50	57E-30500	76.7	51.816	45.4	25.4	17.0 × 9.8