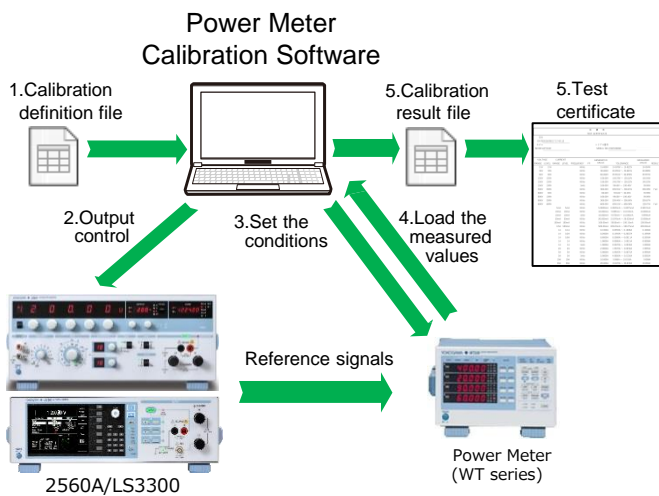


Power Meter Calibration Software (free software)

Automatically calibrates a power meter (WT series)
using YOKOGAWA's AC Power Calibrator LS3300
or Precision DC Calibrator 2560A!!

- Shortening of calibration time
Example: Calibrating WT310E AC 52 points
Manual calibration: approx. 20 min -> Calibration software : approx.2 min 40 sec
- Improves calibration quality by standardizing work
- Easily creates a test certificate

Overview



1. Load a CSV format calibration definition file describing calibration points.
2. Control the LS3300 or 2560A so that reference signals are output according to the calibration points.
3. Set the range of the calibration target instrument remotely.
4. Read the measured values automatically.
5. Create a measurement result file and report in CSV format.

Calibration Target Instruments

WT100, WT200, WT300, WT300E series

Calibratable point

Output range of LS3300 (AC) and 2560A (DC)

Supported communication interface

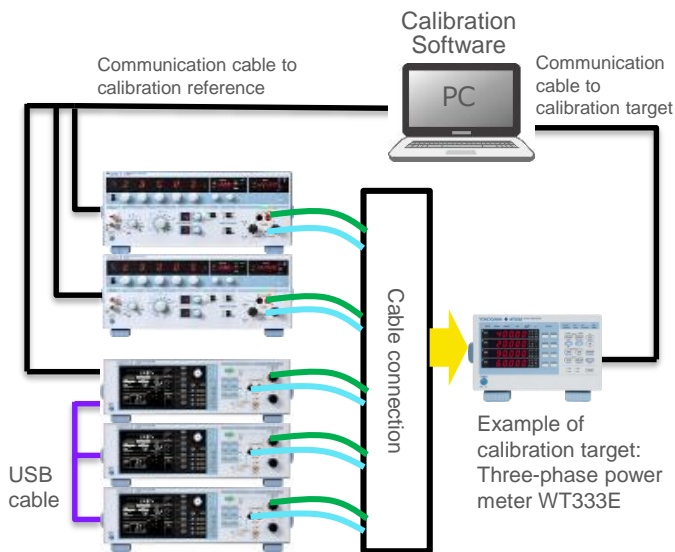
USB, GP-IB, ETHRNET, RS-232

Features

- Pass/fail judgment of a calibration value “Pass (Blank), Warning, Fail”
- Arbitrarily creates calibration points as a calibration definition file. (Sample files for each WT model are provided.)
- Calibrates desired points from among the created calibration points.
- Saves a calibration result in a CSV file and creates a test certificate. (Sample of Excel macros to create a test certificate is provided.)
- Displays calibration patterns and instrument connection methods as an image.
- Saves calibration target settings before calibration and restores them after calibration.

Instrument Configuration

Up to 3 units of LS3300, up to 2 units of 2560A can be connected as reference calibrators. Power meter wiring systems are available from single-phase two-wire to three-phase four-wire.



Combination items for calibratable AC/DC

●: supported

Calibration Function		LS3300	2560A	
AC	Voltage	●	N/A	
	Current	60A	●	N/A
		120A	● 2 units	N/A
		180A	● 3 units	N/A
	Power	1P2W	● : 60A ● : 120A 2 units ● : 180A 3 units	N/A
		1P3W	● 2 units	N/A
		3P3W	● 2 units	N/A
3P4W		● 3 units	N/A	
DC	Voltage	N/A	●	
	Current	N/A	●	
	Power	N/A	● 2 units	

Providing method (free of charge)

Registered users can download the software free of charge from our HP.

YOKOGAWA ◆

<https://tmi.yokogawa.com/>

YMI-KS-MI-SE06

YOKOGAWA TEST & MEASUREMENT CORPORATION

Global Sales Dept. /Phone: +81-422-52-6237 E-mail: tm@cs.jp.yokogawa.com
Facsimile: +81-422-52-6462

The contents in this catalog is as of September 2018. Subject to change without notice.
Copyright © 2018, Yokogawa Test & Measurement Corporation [Ed:01/d]

YOKOGAWA CORPORATION OF AMERICA

YOKOGAWA EUROPE B.V.

YOKOGAWA SHANGHAI TRADING CO., LTD.

YOKOGAWA ELECTRIC KOREA CO., LTD.

YOKOGAWA ENGINEERING ASIA PTE. LTD.

YOKOGAWA INDIA LTD.

YOKOGAWA ELECTRIC CIS LTD.

YOKOGAWA AMERICA DO SUL LTDA.

YOKOGAWA MIDDLE EAST & AFRICA B.S.C(c)

Phone: +31-88-4641000

Phone: +86-21-6239-6363

Phone: +82-2-2628-3810

Phone: +65-6241-9933

Phone: +91-80-4158-6396

Phone: +7-495-737-78-68

Phone: +55-11-3513-1300

Phone: +973-17-358100

E-mail: tmi@us.yokogawa.com

E-mail: tmi@nl.yokogawa.com

E-mail: tech@ysh.com.cn

E-mail: TMI@kr.yokogawa.com

E-mail: TMI@sg.yokogawa.com

E-mail: tmi@in.yokogawa.com

E-mail: info@ru.yokogawa.com

E-mail: tm@br.yokogawa.com

E-mail: help.ymatmi@bh.yokogawa.com

Facsimile: +86-21-6880-4987

Facsimile: +82-2-2628-3899

Facsimile: +65-6241-9919

Facsimile: +91-80-2852-1442

Facsimile: +7-495-737-78-69

Facsimile: +973-17-336100