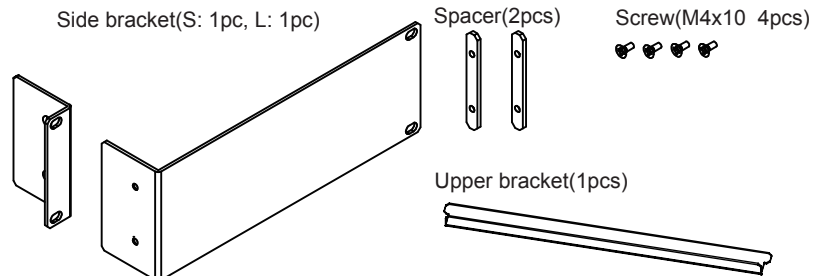


## Model 751539-J2 Rack Mounting Kit for DM7560 (Single-housing Rack, millimeter)

### 1. Contents of the Package

Check that the following components are included in the package. If items are missing or if there is a problem with the appearance of the items, contact your nearest YOKOGAWA dealer.



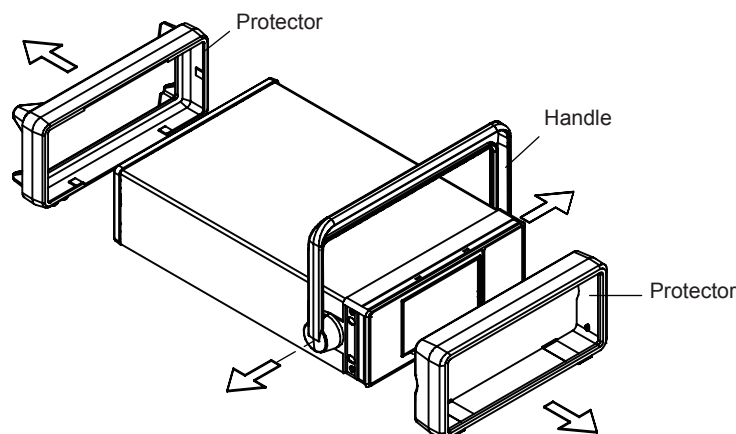
### 2. Removing Components for Rack Mounting

#### CAUTION

- When you remove the handle, be careful not to get your fingers caught between the handle and the instrument. We recommend that you use a pair of gloves.
- To use the measuring instrument without attaching the rack mount kit, be sure to put the protectors and handle back on.

Otherwise, foreign objects and the like may enter the inside of the measuring instrument through the holes for attaching the rack mount kit and may cause electric shock or malfunction.

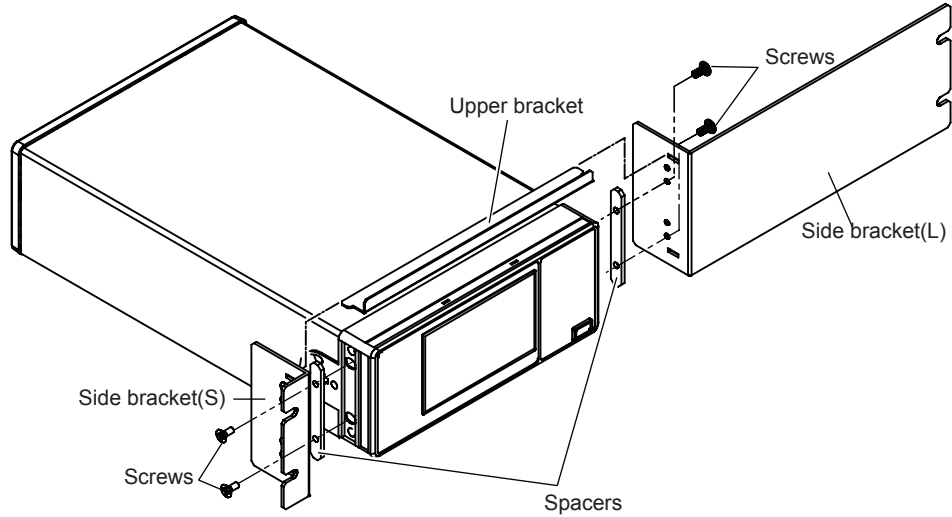
1. Remove the protectors from the front and back of the DM7560.
2. Remove the handle. Move the handle to the position shown in the following figure, and pull the attachment areas of the handle outward to remove the handle.



### 3. Attaching the Rack Mount Brackets

1. Insert the ends of the upper bracket into the corner holes of the side bracket, and then secure the side bracket in place with the included screws (M4) (two on each side). Insert spacers between the measuring instrument and the side brackets.

Tightening torque reference: 1.4 to 1.5 N•m



The above figure is an example of mounting the measuring instrument toward the left side. You can mount the measuring instrument toward the right side by interchanging the small side bracket and the large side bracket.

When using a rack manufacturer's support bracket, attach it to the small bracket side.

### 4. Mounting to a Rack

Mount the measuring instruments according to the following dimensions.

**Note: Make sure to provide adequate support from the bottom of the instruments.**

