

Model 751533-E3 RACK MOUNTING KIT For an EIA-compliant Single-housing Rack

1. Checking the Parts in the Kit

Confirm that all parts listed below are included in the kit. If any part is shorted or any abnormality is found in the appearance of the parts, contact our sales representative where you bought the instrument.

List of parts included in the kit.

Right side bracket (1 pc), left side bracket (1 pc), side bracket spacers (for Case A; 2 pcs), flat-head screws (M5, 14 mm long) (2 pcs), binding-head screw (M5, 14 mm long) (2 pcs), sealing labels (6 pcs)

2. Removing the Parts from the Instrument

Removing the Handle

Note: There is a chance that the handle cannot be reattached once it has been removed from the instrument.

1. Remove the two covers (a) from the handle by firmly inserting a screwdriver in the direction of the two arrows marked (A). If the covers stick to the handle, use another tool to widen the opening of each cover horizontally and then retry taking off the cover.
2. To remove the handle, unscrew the two screws (b) which fix the handle to the instrument.

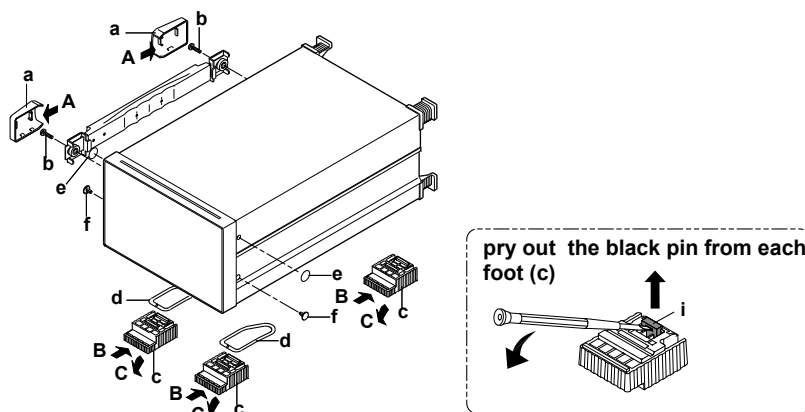
Removing the Feet on the Bottom

1. When a black pin (i) is included in each foot (c), pry out the four pins with a thin screwdriver as shown in the figure below.
2. Press each foot (c) in the direction of arrow (B), that is, toward the rear of the instrument, to slide off the four feet (c).
3. Press each foot (c) in the direction of arrow (C), that is, downward, to remove the four feet (c).

After the front feet (c) are removed, the support hardware (d) is also detached.

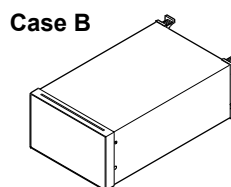
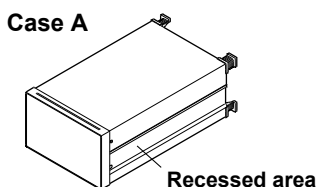
Removing the Sealing Labels

1. Remove the two sealing labels (e).
2. Unplug the two blind plugs (f).



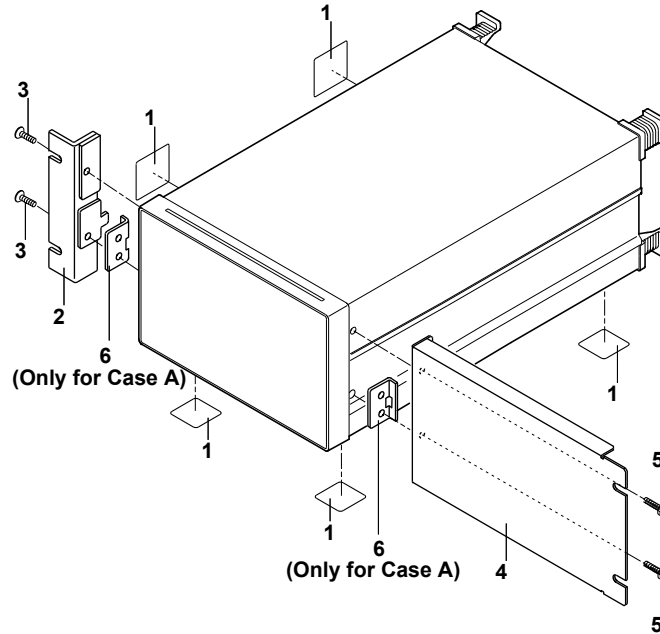
3. Compatible Cases

The mounting hardware can be attached to the following two types of cases. To attach mounting hardware to case A, use the accompanying spacers.



4. Joining the Right and Left Instruments with Mounting Hardware

1. With the eight labels (1), seal the six openings on the bottom plate to fix the feet.
2. Using two flat-head screws (M5, 14 mm long) (3), screw the left side bracket (2) to the left side of the instrument.
If the type of case is Case A, use the side bracket spacers (6)
Reference torque value: 2.8 to 2.9 N·m
3. Using two binding-head screws (M5, 14 mm long) (5), screw the left side bracket (4) to the right side of the instrument.
If the type of case is Case A, use the side bracket spacers (6)
Reference torque value: 2.8 to 2.9 N·m



5. Mounting the Joined Instruments to the Rack

Dimensions after mounting to the rack are illustrated below.

- Note:**
1. Be sure to place support beneath the rack where the support will not cover the vent openings on the bottom of the instruments.
 2. Provide a clearance of at least 80 mm around the instrument for ventilation.

