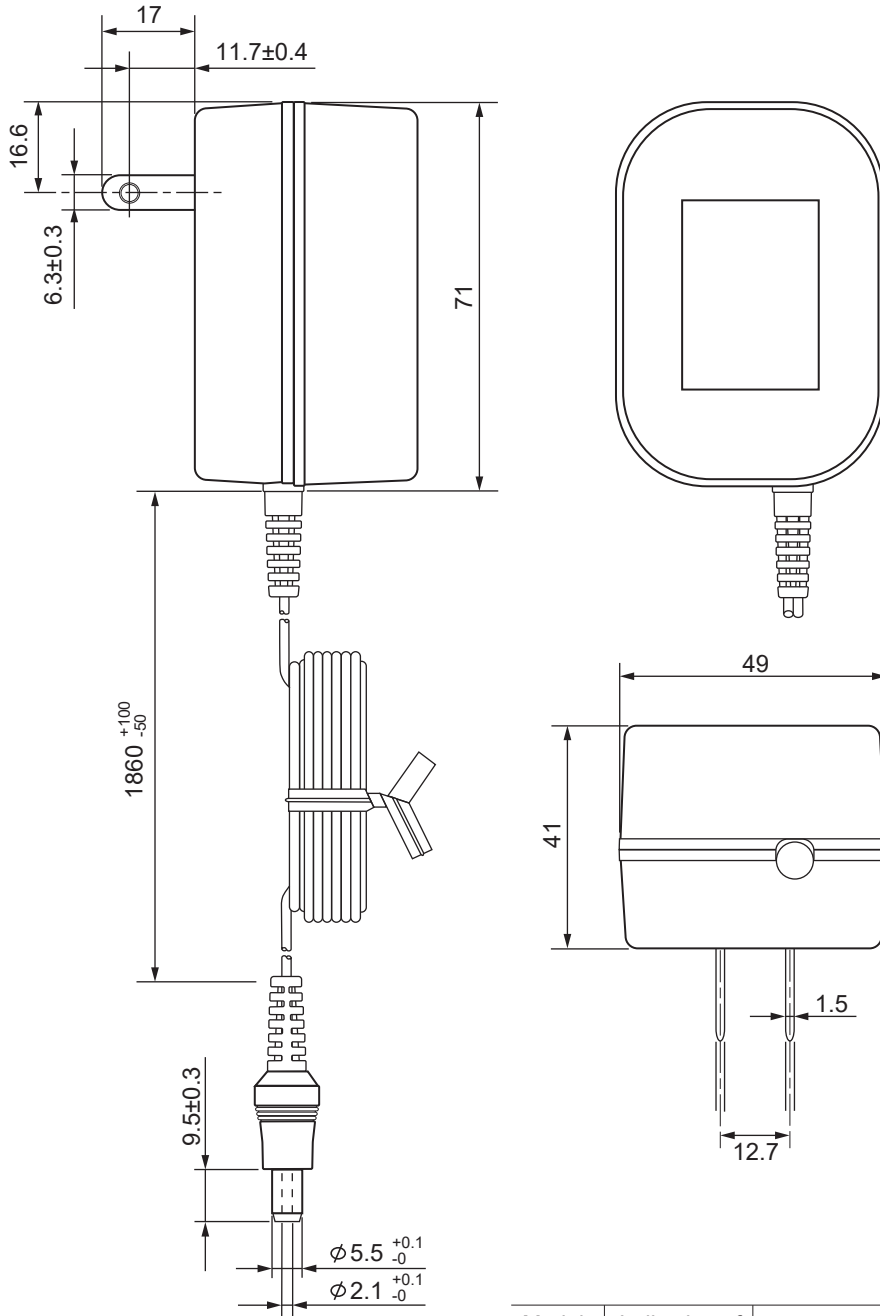


Drawings

94012 AC adapte

Unit: mm



Polarity of Plug



Model	Indication of product	Rated input voltage	Weight
94012	L3043EE	100 VAC	approx. 280 g

If not specified, the tolerance is $\pm 3\%$. However, in cases of less than 10 mm, the tolerance is ± 0.3 mm.