

# Power Measurement on Equipment of Production Lines: Rated (Large) Current Measurement

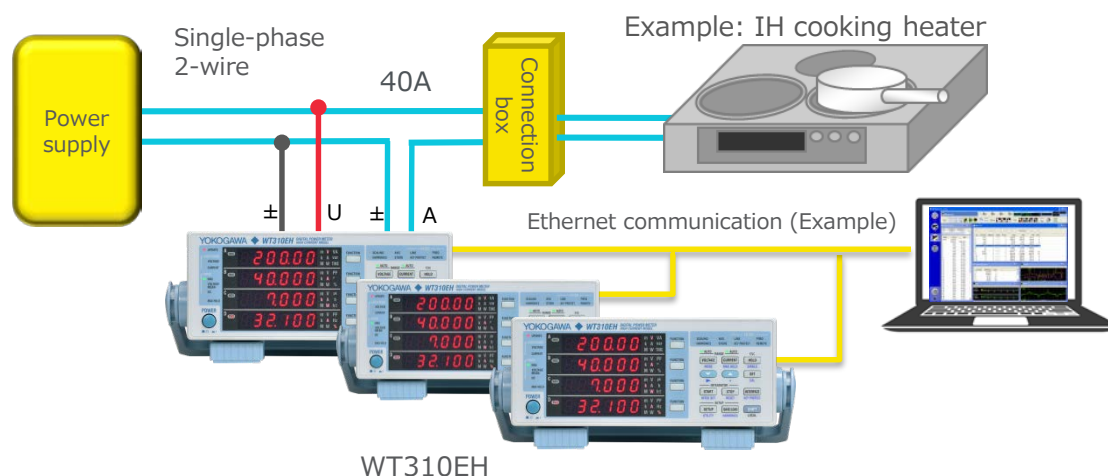
## ■ WT310EH

High-accuracy power measurements are required for reducing the rate of failure in production line for equipment. It is also necessary to minimize the cost per line to increase the number of production lines.

The WT310EH is a digital power meter capable of high-accuracy measurement at a basic power accuracy of  $\pm 0.15\%$ . Voltage, current, power, frequency, and other parameters necessary for shipping testing can be measured simultaneously. Also, its measurement speed of up to 100 ms offers a shorter takt time in testing procedures. If the harmonic measurement option (/G5) is installed, the harmonic components of each order and total harmonic distortion (THD) can be measured simultaneously at speeds up to 100 ms.

Since the WT310EH has a large current range of 40A, it is ideal for shipping testing of equipment with large rated current.

 [Click](#) [Product details](#)



For reference: WTViewerFreePlus provides useful features and simple operation for data collection from the WT unit to the PC.