

1. Checking the Parts in the Kit

Confirm that all parts listed below are included in the kit. If any part is shorted or any abnormality is found in the appearance of the parts, contact our sales representative where you bought the instrument.

List of parts included in the kit.

side brackets (2 pcs), center brackets (2 pcs), rear bracket (1 pc), flat-head screws (M4, 14 mm long) (8 pcs), binding-head screws (M3, 14 mm long) (2 pc), binding-head screw (M4, 6 mm long) (1 pc), sealing labels (8 pcs)

2. Removing the Parts from the Instrument (per each set)

Removing the Handle and Front Feet

1. To remove the handle from the instrument, tilt the handle vertically, but inclining it slightly to the rear, and pull the ends of the handle in the direction of the arrows in the figure below at the rotating joints.
2. To remove the front feet, unscrew the two screws (a) which fix the unit to the instrument.

Removing the Rear Feet

Remove the two sealing labels (b) and unscrew the two screws (c) which attach the rear feet to the instrument.

Removing the Sealing Labels

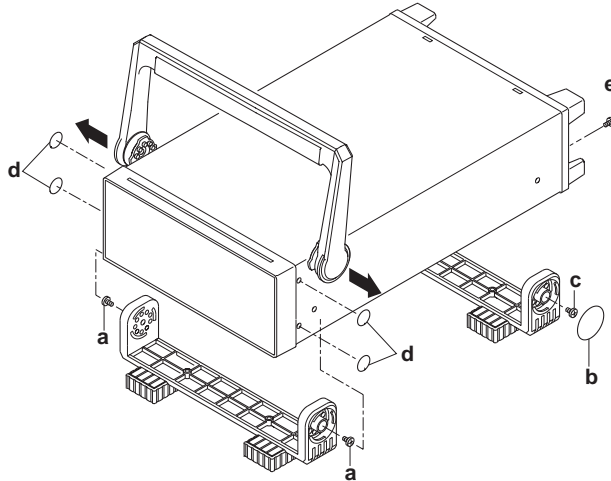
Remove the four sealing labels (d).

Removing the Screw at the Rear

Remove the screw (e) so that the binding-head screw (M3, 14 mm long) to fix the rear bracket is screwed there in step 3-5 on page 2.

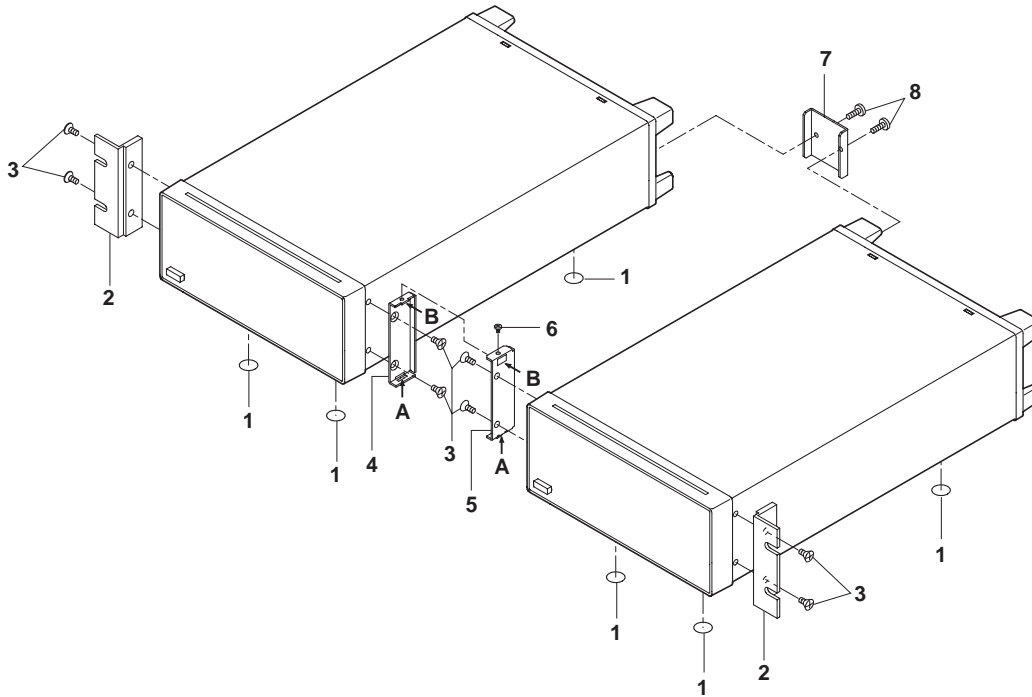
Note: For the instrument to be located on the left side of the rack, unscrew the screw to the left as viewed from the rear.

For the instrument to be located on the right side of the rack, unscrew the screw to the right as viewed from the rear.



3. Joining the Right and Left Instruments with Mounting Hardware

1. Seal the eight openings on the bottom plate to fix the feet with the eight labels (1).
2. Using two flat-head screws (M4, 14 mm long) (3), screw the side bracket (2) to the left side of the instrument to be located on the left side of the rack.
Using two other flat-head screws (M4, 14 mm long) (3), screw the center bracket which has a square opening on side (A) (4) to the right side of the instrument to be located on the left side of the rack.
Reference torque value: 1.4 to 1.5 N·m
3. Using two other flat-head screws (M4, 14 mm long) (3), screw the side bracket (2) to the right side of the instrument to be located on the right side of the rack.
Using the remaining two flat-head screws (M4, 14 mm long) (3), screw the center bracket which has a projection on side (A) (5) to the left side of the instrument to be located on the right side of the rack.
Reference torque value: 1.4 to 1.5 N·m
4. Join both center brackets by mating (A) and (B) respectively, and join both instruments with the binding head screw (M4, 6 mm long) (6).
Reference torque value: 1.4 to 1.5 N·m
5. Join both instruments at the rear by screwing the rear bracket (7) with the two binding-head screws (M3, 14 mm long) (8).
Reference torque value: 0.6 to 0.7 N·m



4. Mounting the Joined Instruments to the Rack

Dimensions after mounting to the rack are illustrated below.

- Note:**
1. Be sure to place support beneath the rack where the support will not cover the vent openings on the bottom of the instruments.
 2. Provide a clearance of at least 80 mm around the instrument for ventilation.

