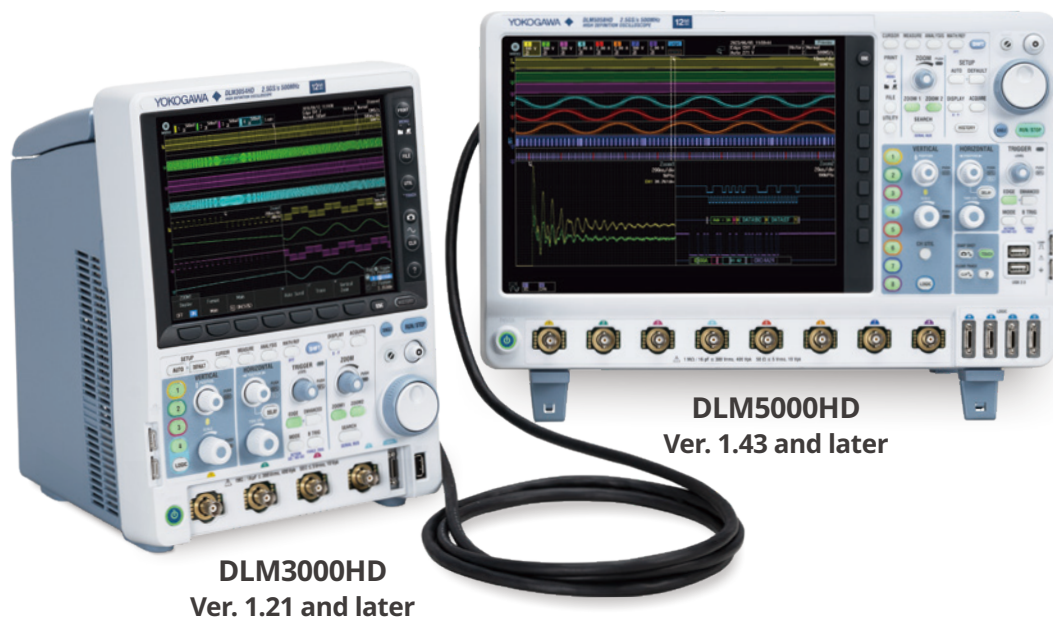


# High Definition Oscilloscope DLM3000HD/DLM5000HD Series

DLMsync Feature Update

## Now Supports Two-Unit Synchronization Between DLM3000HD and DLM5000HD

With the latest update, DLMsync is now available between the DLM3000HD and DLM5000HD. This enhancement provides greater flexibility in meeting multi-channel measurement needs.



### Solve Previous Limitations

- Maximize use of existing equipment: If you own one DLM5000HD and one DLM3000HD, a firmware update enables synchronized measurements by linking the two units with DLMsync.
- Eliminate channel shortages: Where two DLM3000HD units (8 channels) were not enough, you can now flexibly expand channel count by adding a DLM5000HD.
- Save space: Even when there isn't room to install two DLM5000HD units, you can still secure the required channel count by pairing a compact DLM3000HD with a DLM5000HD.

### Notes on Use

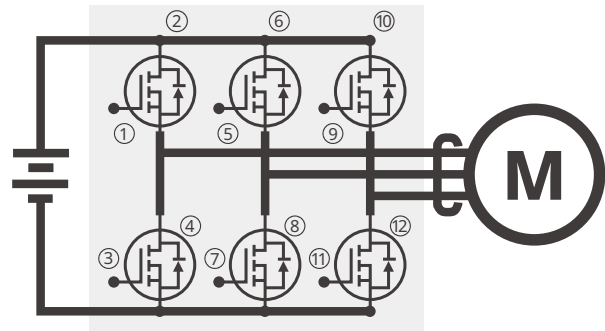
- The DLM5000HD must be set as the main unit.
- The /SY option is required on both the DLM3000HD and DLM5000HD to use DLMsync.
- Connections are not supported between DLM5000 (non-HD) model and DLM3000HD/DLM5000HD models.



# Application

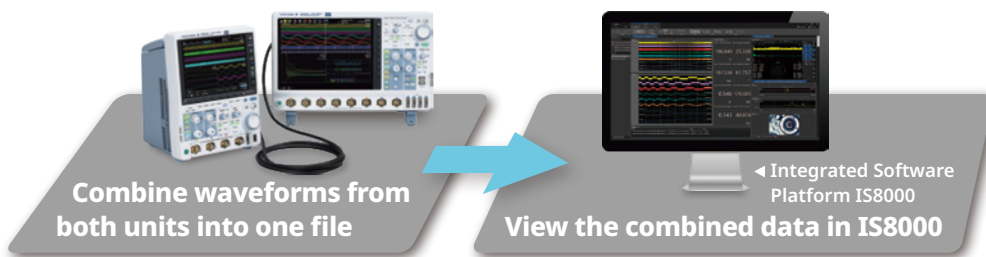
## Multi-Channel Waveform Measurement for High-Speed Inverters

Evaluating inverters requires many measurement points—such as gate signals, device voltages, and three-phase currents—so with a 4-channel oscilloscope, multiple measurement runs or multi-unit synchronization were necessary. By connecting the DLM3000HD and DLM5000HD with DLMSync, you can acquire up to 12 channels simultaneously. Even when measuring high-speed devices, the system maintains high accuracy (synchronization accuracy:  $\pm 50$  ps), enabling efficient, reliable multi-point observation of inverter behavior.



Example of measurement points for inverters

## Waveform Data Saved in a Single WDF File



Waveform data is saved in a single WDF file even when using the newly supported combination of the DLM3000HD and DLM5000HD. Using IS8000, the saved WDF file can be viewed and analyzed together on a PC.

## Model and Suffix Code

### High Definition Oscilloscope DLM3000HD series

Model	Description
DLM3034HD	High Definition Oscilloscope: 4 ch, 350 MHz
DLM3054HD	High Definition Oscilloscope: 4 ch, 500 MHz

### High Definition Oscilloscope DLM5000HD Series

Model	Description
DLM5038HD	High Definition Oscilloscope: 8 ch, 350 MHz
DLM5058HD	High Definition Oscilloscope: 8 ch, 500 MHz
DLM5034HD	High Definition Oscilloscope: 4 ch, 350 MHz
DLM5054HD	High Definition Oscilloscope: 4 ch, 500 MHz

### DLMSync Connection Cable

Model	Name	Description
701982-01	Connection cable	Connection cable for DLM 1.0 m
701982-02	Connection cable	Connection cable for DLM 2.8 m

## Related products

### Compact, Lightweight, Portrait style

#### DLM3000HD High-Definition Oscilloscope

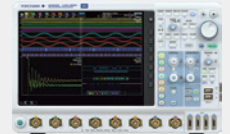
- 4 Channels/500 MHz
- 12-bit/2.5 G Sample Rate
- 1 G Points, Supports Dual Synchronized Operation "DLMSync"



### Lightweight, Multi-Channel

#### DLM5000HD High-Definition Oscilloscope

- 8 Channels/500 MHz
- 12-bit/2.5 G Sample Rate
- 1 G Points, Supports Dual Synchronized Operation "DLMSync"



### For DLMSync connection

#### Connection cable 701982

Cable length: 1 m/2 m



### NOTICE

- Before operating the product, read the user's manual thoroughly for proper and safe operation.



YOKOGAWA TEST & MEASUREMENT CORPORATION  
Global Sales Dept. /E-mail: tm@cs.jp.yokogawa.com

YOKOGAWA CORPORATION OF AMERICA  
YOKOGAWA EUROPE B.V.  
YOKOGAWA TEST & MEASUREMENT (SHANGHAI) CO., LTD.  
YOKOGAWA ELECTRIC KOREA CO., LTD.  
YOKOGAWA ENGINEERING ASIA PTE. LTD.  
YOKOGAWA INDIA LTD.  
YOKOGAWA ELECTRIC CIS LTD.  
YOKOGAWA AMERICA DO SUL LTDA.  
YOKOGAWA MIDDLE EAST & AFRICA B.S.C(c)

<https://tmi.yokogawa.com/us/>  
<https://tmi.yokogawa.com/eu/>  
<https://tmi.yokogawa.com/cn/>  
<https://tmi.yokogawa.com/kr/>  
<https://tmi.yokogawa.com/sg/>  
<https://tmi.yokogawa.com/in/>  
<https://tmi.yokogawa.com/ru/>  
<https://tmi.yokogawa.com/br/>  
<https://tmi.yokogawa.com/bh/>

<https://tmi.yokogawa.com/>

YMI-E03

The contents are as of July 2026. Subject to change without notice.  
Copyright © 2026, Yokogawa Test & Measurement Corporation  
[Ed: 01/d] Printed in Japan, 607(YMI)